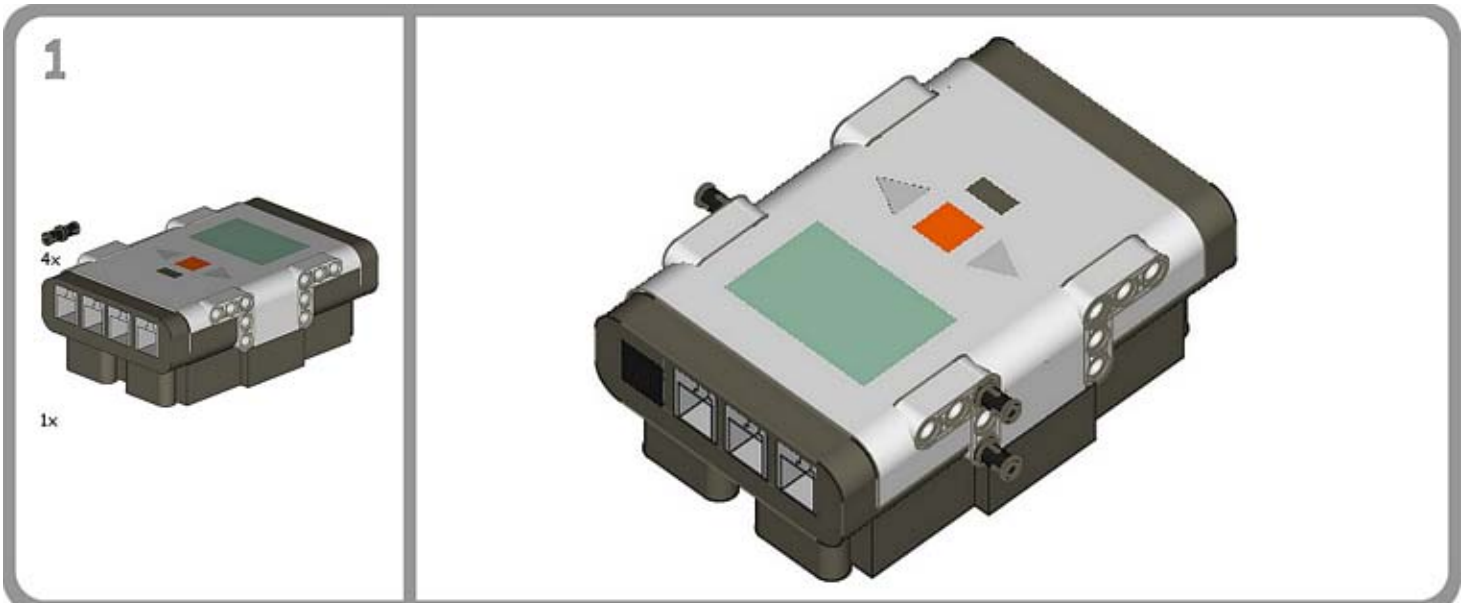
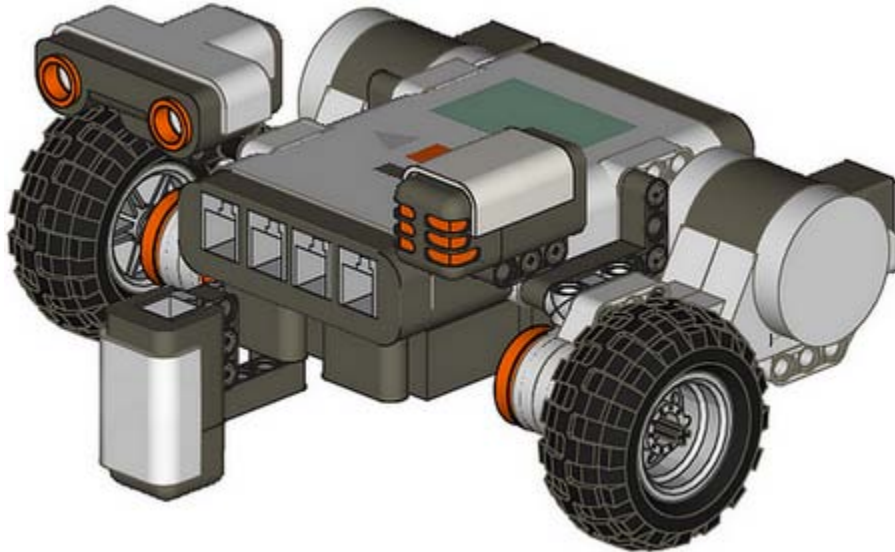


# Simple NXT Robot

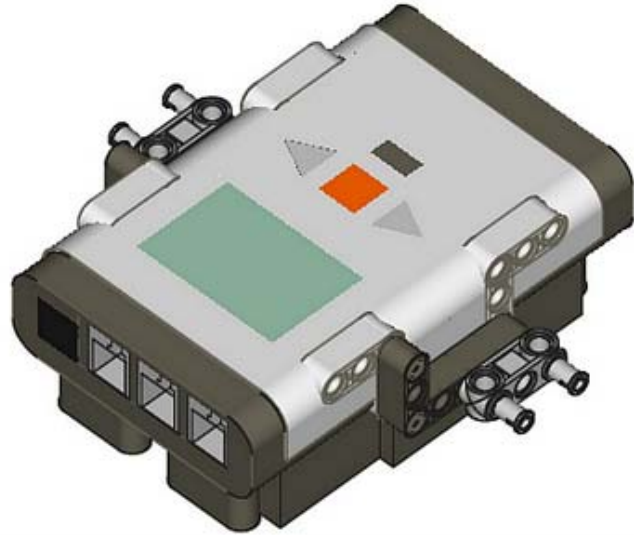
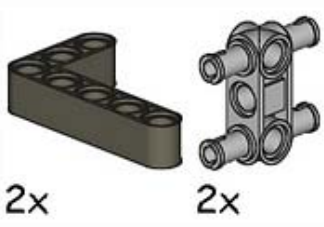
This simple robot can be constructed with just a few dozen LEGO pieces. It is both quick to build and structurally very sound given it's simple design.

Feel free to use this design for teaching in your classroom, and if get the chance drop me an [email](#) to let me know where and how you are using the robot. I'm interested to know how far and wide the design goes.

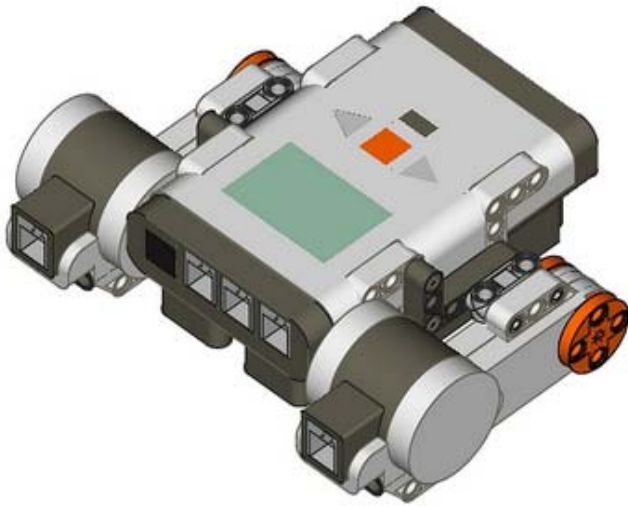
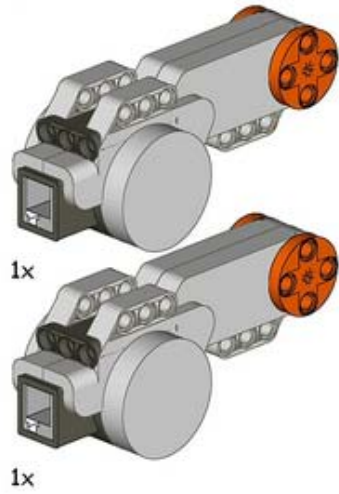
There are quite a few images, so please be patient as they load



2

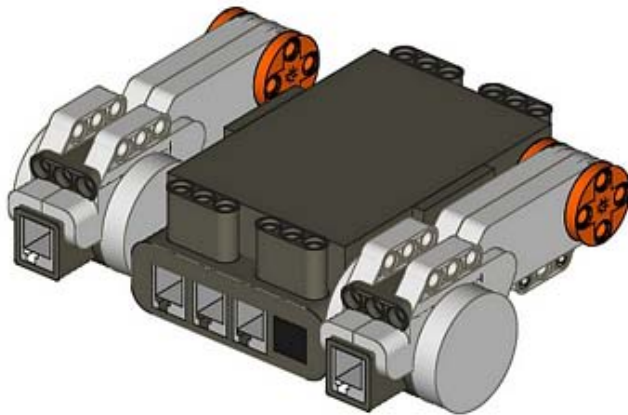


3



4

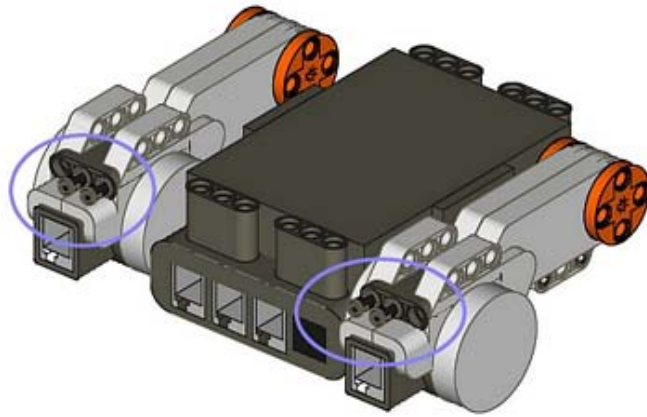
Turn over



5



4x



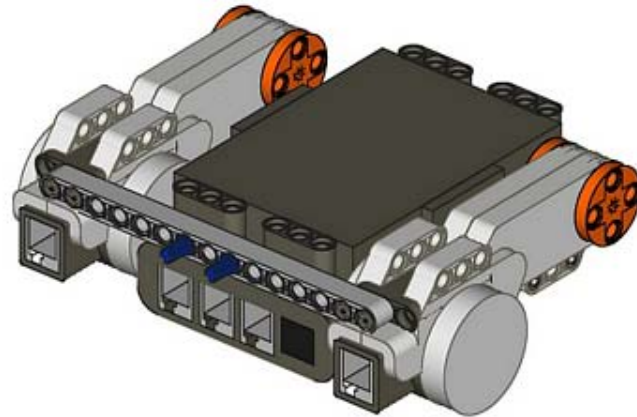
6



2x



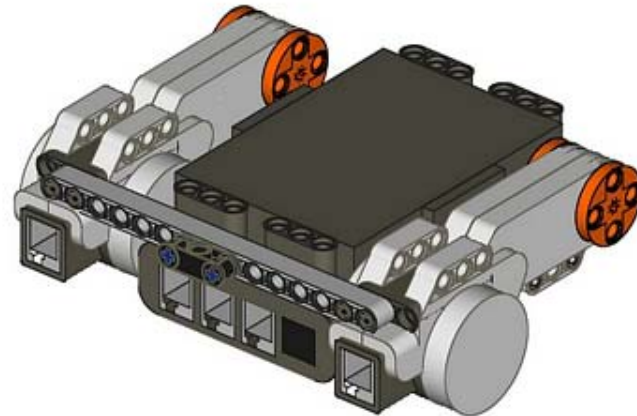
1x



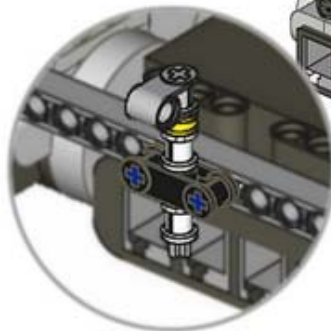
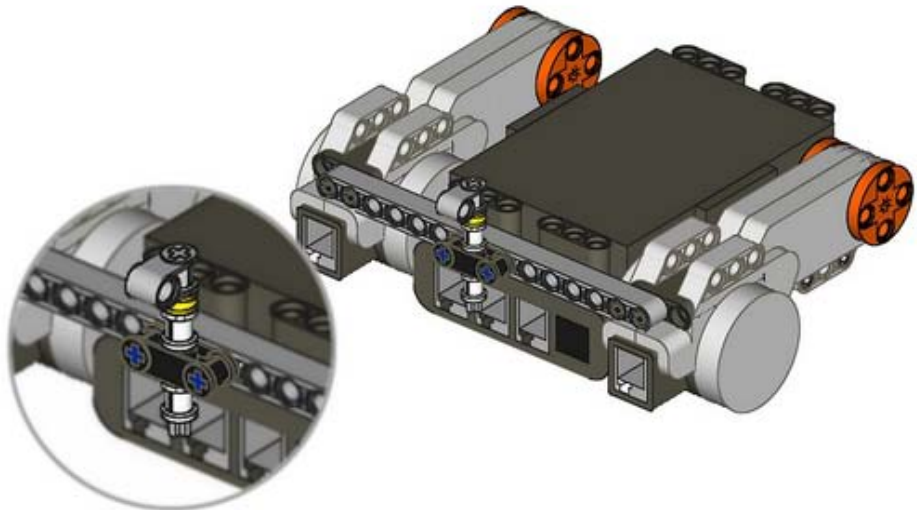
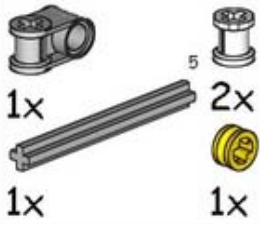
7



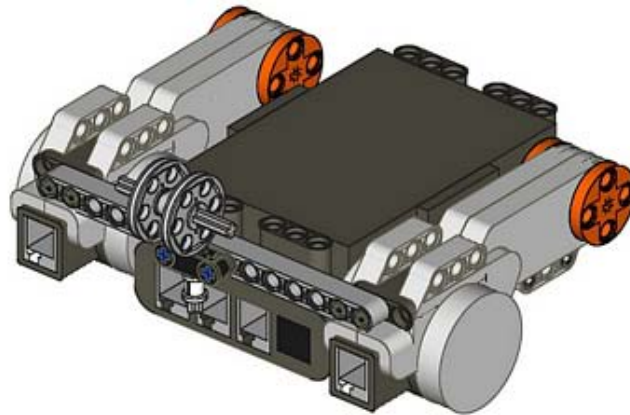
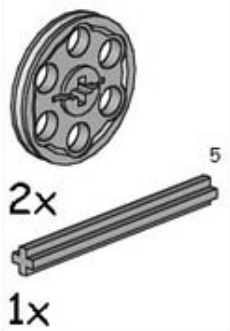
1x



8



9



10

Turn over



11



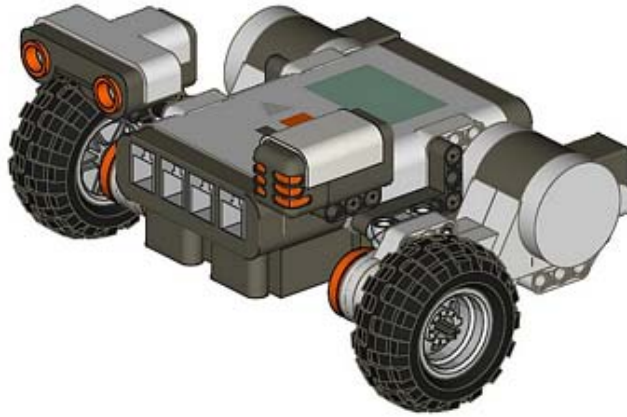
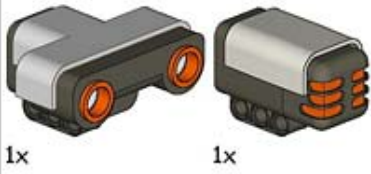
12



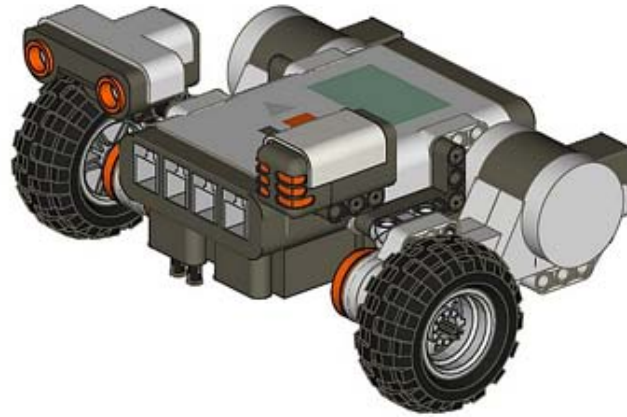
13



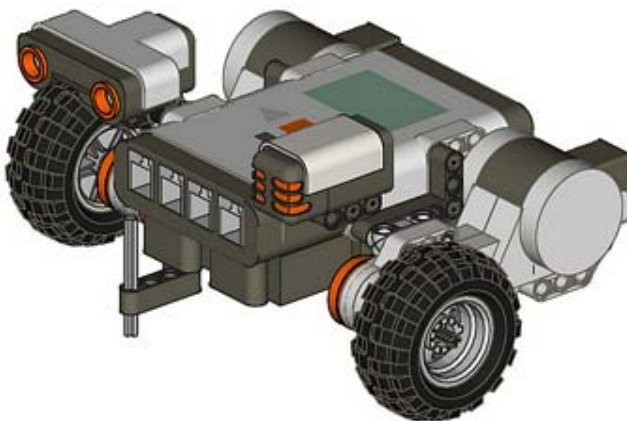
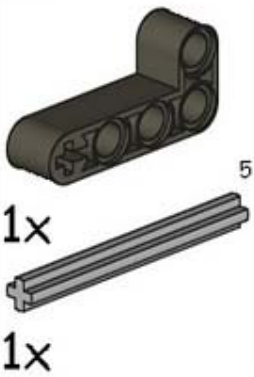
14



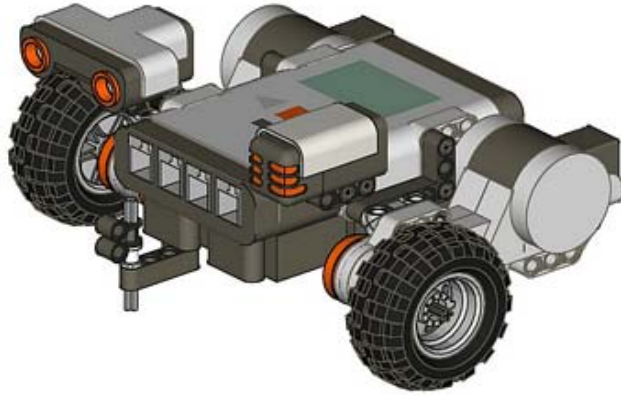
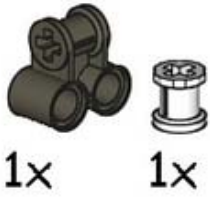
15



16



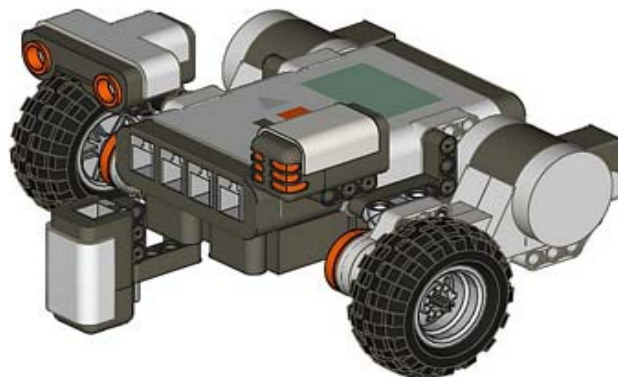
17



18



19



**Finished!!**